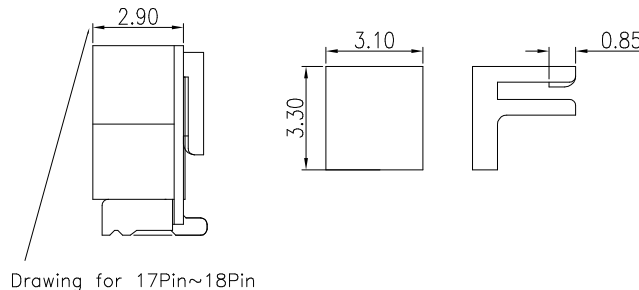
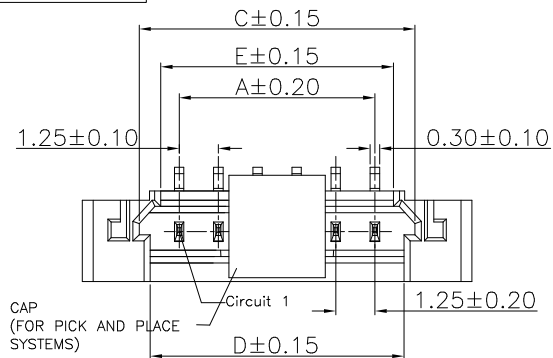


RoHS Compliant

REV.	ECN.NO.	MODIFY.CONTENT	DATE
A		NEW VERSION	09/11'16

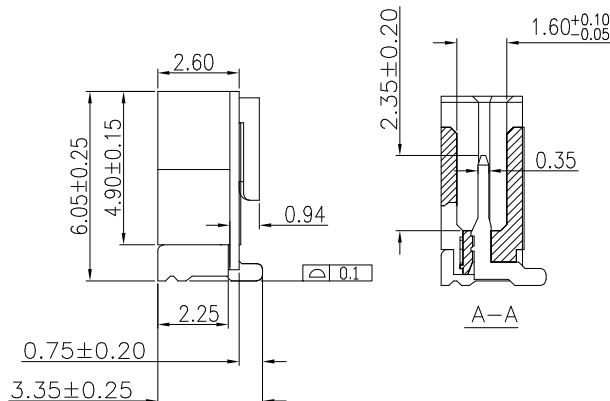
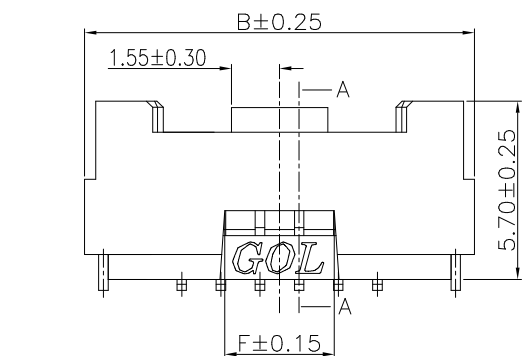


MATERIALS

Insulator :High temperature plastic,UL94V-0
 Contact :Copper Alloy
 Contact Plating :Gold flash or Tin over Nickel 30~120u"
 (See Part no.):

SPECIFICATONS

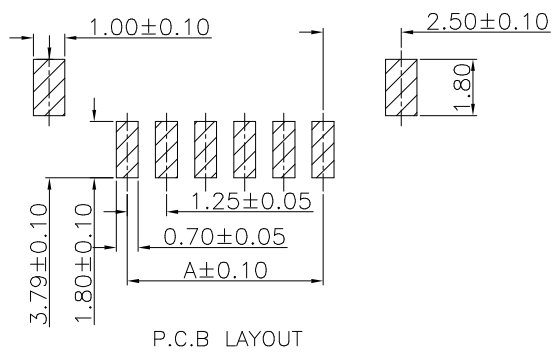
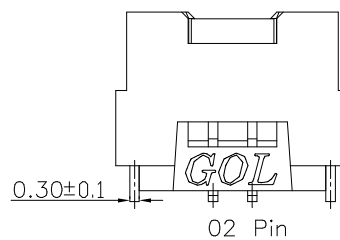
Current Rating :1A
 Operation Temperature :-25°C to +85°C
 Insulation Resistance :500MΩ Min
 contact resistance :20mΩ Max
 Processing Temperature :260°C for 10 seconds



PART NO.:

1 W 1C 004 U ** D * * 0 00
 W=WAFER
 SERIES
 PITCH
 05=0.5mm
 10=1.0MM
 1A=1.27
 2B=2.54
 1C=1.25
 Code
 001
 002
 003
 ...
 Plating
 T=Tin 80~200u"
 U=Gold Flash
 H=Gold 3u"Min
 E=Gold 5u"Min
 00=RoHS
 HF=HALOGEN FREE
 PACKING
 P=BAG
 1=TUBE
 0=NATURAL(PA9T)
 1=BLACK(LCP)
 2=TAPE&REEL WITH MYLAR
 3=TAPE&REEL
 4=TAPE&REEL WITH CAP(PA6T)
 To From
 D=VERTICAL SMT
 NO.OF CONTACTS
 02=2PIN
 03=3PIN
 10=10PIN
 ...

18	21.25	27.45	23.81	22.83	22.43	5.00
17	20.00	26.20	22.56	21.58	21.18	5.00
16	18.75	24.95	21.31	20.33	19.93	5.00
15	17.50	23.70	20.06	19.08	18.68	5.00
14	16.25	22.45	18.81	17.83	17.43	5.00
13	15.00	21.20	17.56	16.58	16.18	5.00
12	13.75	19.95	16.31	15.33	14.93	5.00
11	12.50	18.70	15.06	14.08	13.68	5.00
10	11.25	17.45	13.81	12.83	12.43	3.50
09	10.00	16.20	12.56	11.58	11.18	3.50
08	8.75	14.95	11.31	10.33	9.93	3.50
07	7.50	13.70	10.06	9.08	8.68	3.50
06	6.25	12.45	8.81	7.83	7.43	3.50
05	5.00	11.20	7.56	6.58	6.18	3.50
04	3.75	9.95	6.31	5.33	4.93	3.50
03	2.50	8.70	5.06	4.08	3.68	3.50
02	1.25	7.45	3.81	2.83	2.43	3.50
PIN 数	A	B	C	D	E	F



GENERAL TOLERANCE	DRAWN	VICENT.YAO	09'11/16	SCALE	PART NO.	1W1C004***D*40**
X.±0.30	x.±3°	CHECKED	RYAN.LAI	4/1	TITLE	1.25 PITCH VERTICAL SMT WAFER CONN
.X±0.25	.x'±2°	APPROVED	RAY LEE	UNITS	mm	CUSTOMER DRAWING
.XX±0.20		File NO.	W1C00401S			
.XXX±0.10		REV.				
SHEET	1/1	Q'TY	1	A	蘇州祥龍嘉業電子科技股份有限公司 Goldenconn Electronics Technology Co.,LTD	

此文件为双方检验的唯一标准
 This document is the only standard tested by both parties.